

Ultra-Vent

the universal ventilation system

Stock One Product

Ultra-Vent conforms to any roof panel



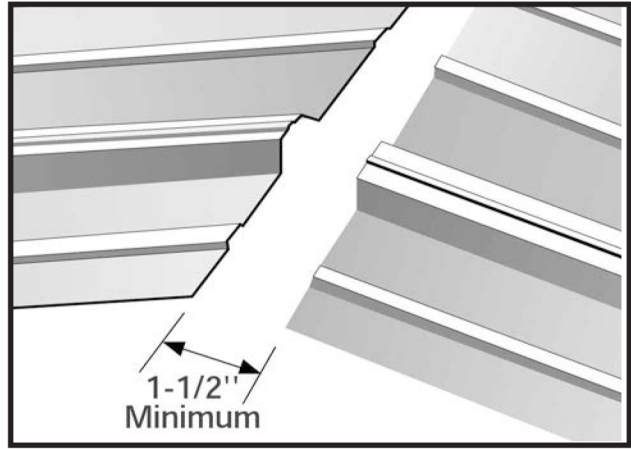
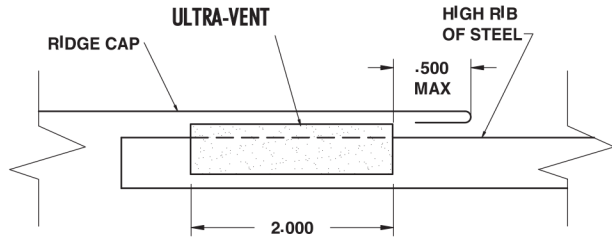
Ultra-Vent will conform to virtually any roof panel configuration. It compresses and fills every void between your ridge cap and the roof panel. Factory applied glue strips allow the installer to roll out Ultra-Vent and apply it to the roof panel, even in windy conditions. Then, any standard ridge cap can finish off the installation.

Independent Testing

PROPERTY	TEST	RESULTS
90 mph Wind Driven Rain	CRL 6875	No Leakage
Net Free Area	1" nom. Thickness	8.5 sq. in. per lin. Ft. per side (17 sq. in per lin. Ft. ridge)
Air Permeability	ASTM D737	840 cu. ft. / min.
Cold Crack	F87260 Sec. 4-C14	Resistance to -55° C
Snow Infiltration	CRL 5704	-0-
Tear Strength	ASTM D3574	3.5 p.p.i.
Tensile Strength	ASTM D3574	16 p.s.i. - Elong 175%
Attic Dust	ASTM D1739-98	No Clogging
Dust Exposure	ICBO AC132	No Clogging
Compressive Strength	ASTM D3574	1.8 p.s.i. @ 75%
UV Stable	Chamber Test	No change to color or materials
Abrasion	ASTM D1175	No damage

Allow a minimum of a 1-1/2" wide opening at the peak of the roof.

For proper air flow, the downhill edge of the Ultra-Vent should be no more than 1/2" above the lower edge of the ridge cap



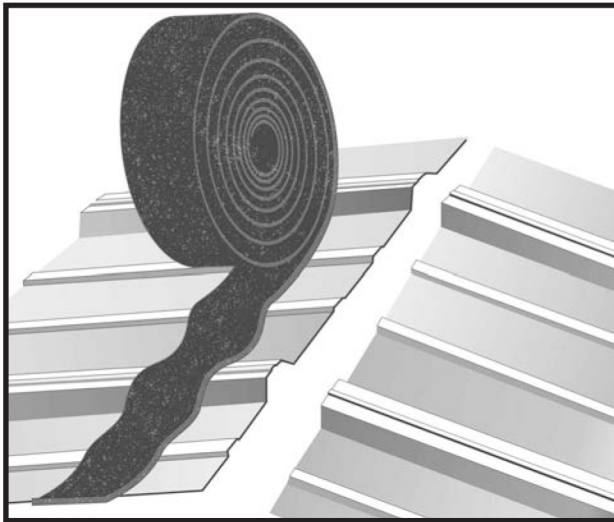
Roll out Ultra-Vent over the high ribs with a slight droop in the middle.



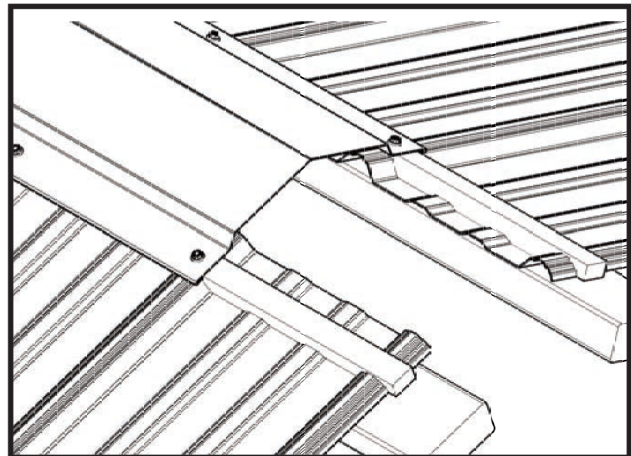
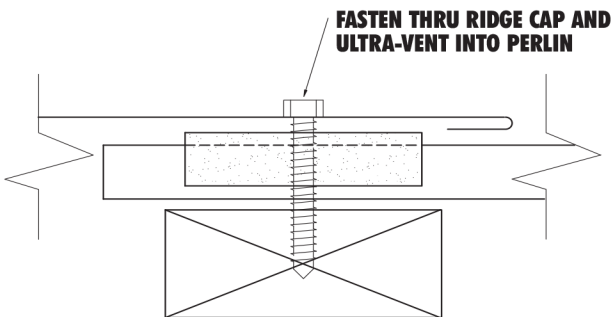
Ultra-Vent should stick initially at high ribs and at low point in between



After the Ultra-Vent is rolled out over the high ribs, the installer must press down between the high ribs for full adhesion.



Ultra-Vent will compress at the major and minor ribs to fill all gaps. The installer can utilize the same fasteners that would be used for a normal ridge cap installation.



Physical Properties

- Pure Polyurethane Foam Vinyl Coating
- UV Stabilized/Fire Retardant Continuous
- Double Glue Strip
- Material is 1" x 1.5" x 20' rolls.
- Stock one product to match any roof panel configuration
- Use on any roof pitch from 2/12 to 20/12

82 Garden Spot Road
Ephrata, PA 17522
717-445-6885
Toll Free: 800-373-3703
Fax: 717-977-5175

HOURS:
M-F: 6:30 am - 5:30 pm
Sat: 7:00 am - 11:30 am
Closed Thanksgiving and Sundays
www.abmartin.net

 **AB MARTIN™**